

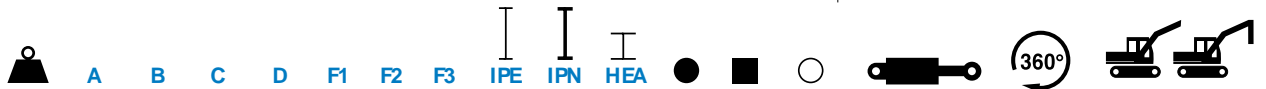
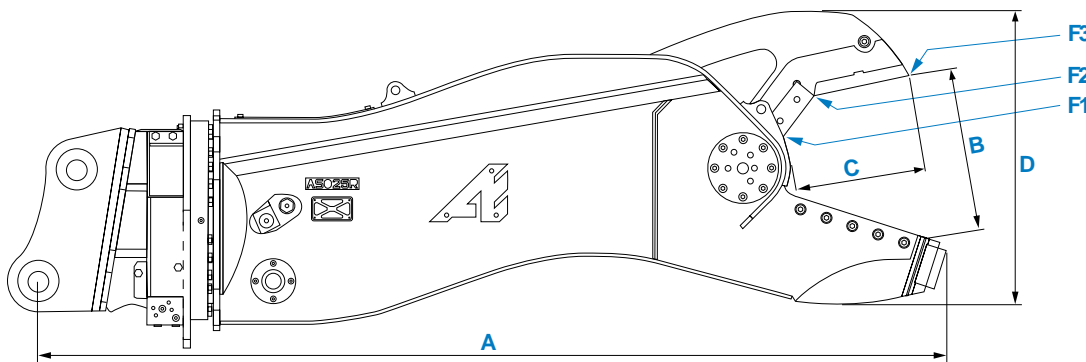
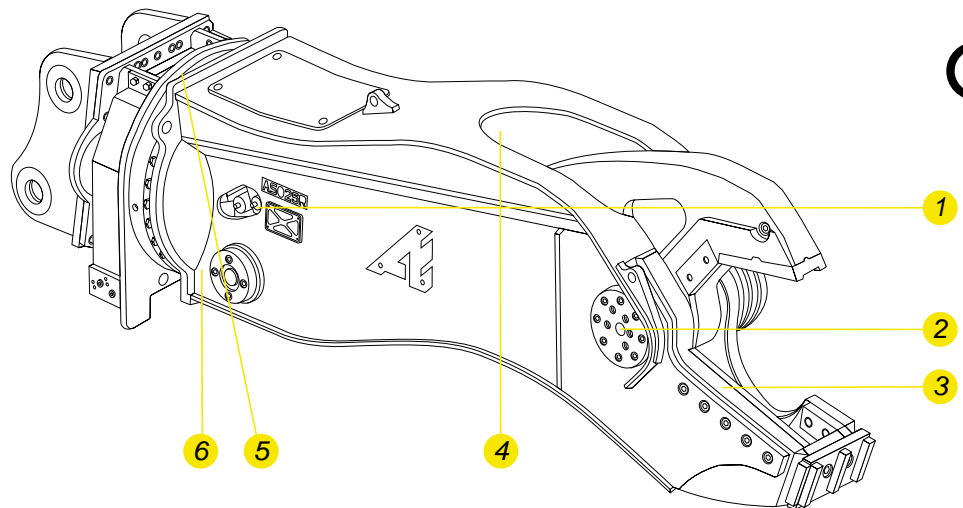
## AS-025R

# Hydraulic scrap shears

- 1 Standard Speed Valve.
- 2 Central pin with tighten adjustment.
- 3 Reversible blades.
- 4 Cylinder protection.
- 5 360° rotation.
- 6 Optimized design and shape : strength, weight, visibility.



## AS-025R



	A	B	C	D	F1	F2	F3	IPE	IPN	HEA	●	■	○	bar	l/mn	360°	t	t		
<b>AS-025R SV</b>	2650	3140	567	515	1045	463	201	108	450	380	250	60	50	305x10	350	400 maxi	140	24/35	15/25	24/35

The weights are mentioned with bolt on top plate.

Your dealer



14, avenue de l'Industrie  
 F-08013 CHARLEVILLE-MÉZIÈRES Cedex  
 Tél. : (33) 03.24.33.64.30  
 Fax : (33) 03.24.33.64.32  
 E-mail : arden-equipment@arden-equipment.com  
 www.arden-equipment.fr