



save money on waste!

We have the solution ...

FREE
trials available!

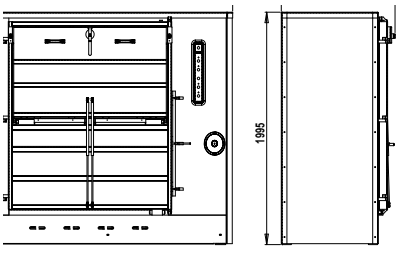
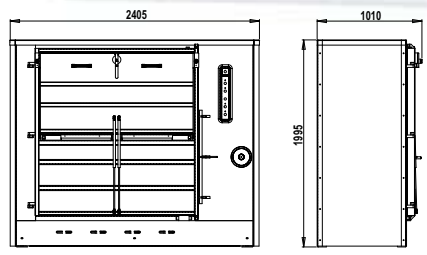


save money on waste!

Model MT2200 & MT3300 Bale Press

Bale Press MT2200 & MT3300

Electro-mechanical waste press

Model	MT2200	MT3300
Bale weight	Plastic: 275-375 kg Cardboard: 250-325 kg	Plastic: 350-450 kg Cardboard: 300-400 kg
Pressing cycle	25-45 sec.	25-45 sec.
Degree of compression	85-90%	85-90%
Pressure	15,5 t	15,5 t
Bale size	H: 800-1000 mm W: 1200 mm D: 800 mm	H: 800-1000 mm W: 1500 mm D: 800 mm
Door opening	H: 620 mm W: 1170 mm D: 800 mm	H: 620 mm W: 1500 mm D: 800 mm
Dimensions	<p>MT2200 Height: 1995 mm Width: 2075 mm Depth: 1010 mm</p> <p>MT3300 Height: 1995 mm Width: 2405 mm Depth: 1010 mm</p> 	
Weight	1425 kg.	1600 kg.
Motor	4,0 kW 16 A 3-phase 400 V	4,0 kW 16 A 3-phase 400 V
Noise level	65-75 dB	65-75 dB
Approval	CE	CE



Looking for extra wide door opening, the MT is the obvious choice.



The pressing plate goes all the way down.

- ✓ **Extra wide door opening!**
- ✓ **Pressing plate goes all the way down!**
- ✓ **Less than 2 meters in height!**
- ✓ **Unique door opening system!**
- ✓ **Maximum safety!**

Contact: